

**Yolico**



**Yolico**

## YD201 Series

Inverter for HVAC and Fan & Pump

Single phase 220V :0.4~2.2KW(0.5~3HP)

Three phase 220V :2.2~3.7KW(3~5HP)

Three phase 380V :0.75~710KW(1~946HP)



Detailed Work Makes Quality  
Our Quality Equals Perfection

**Yolico**

WUXI YOLICO ELECTRIC CO.,LTD.

Add:No.9 LianHe Road,HuDai Industrial park,  
BinHu Borough,China

Tel: +86-0510-85161131 Fax: +86-0510-85161139

Http://www.yolico.com Service Phone:400 0510 133



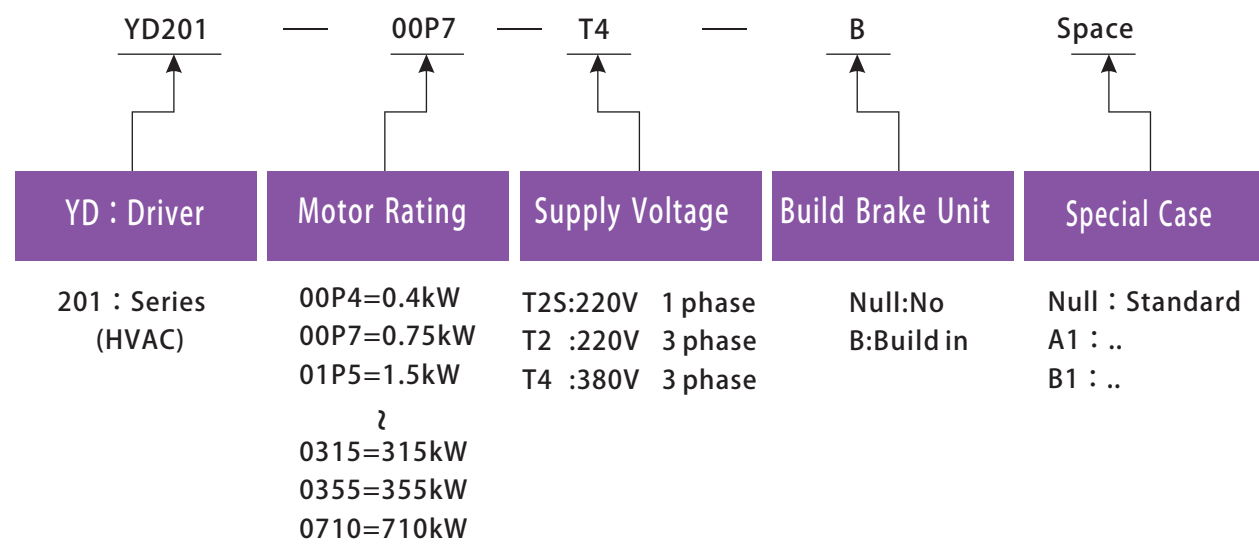
ISO9001 

# YD201 Description

## Product features

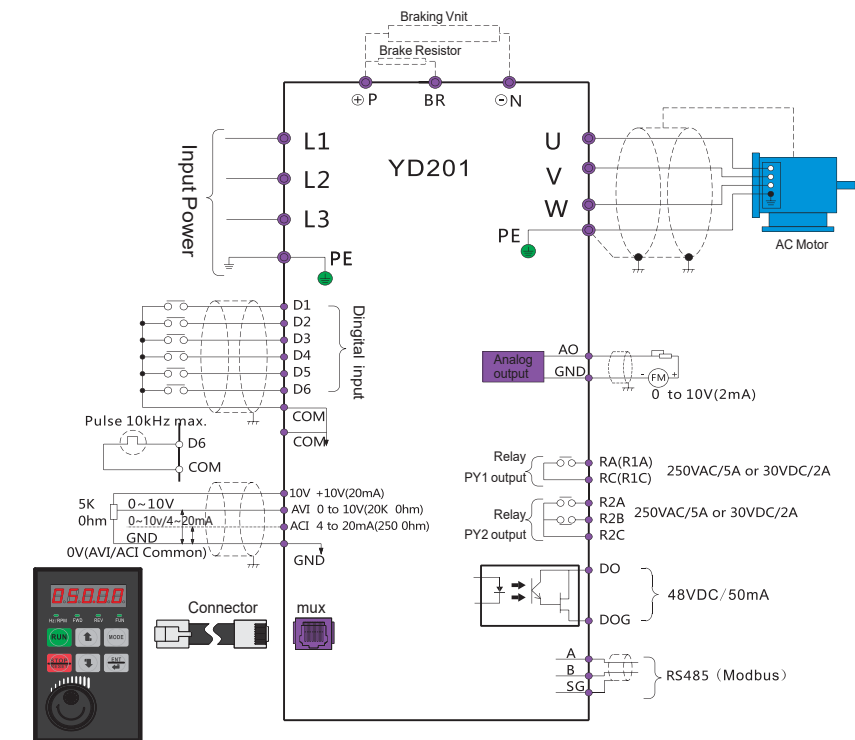
- 1 Decreasing torque load
- 2 Overload 120%/1min
- 3 Start at Speed Search
- 4 Power Loss
- 5 Energy saving
- 6 Build in DC brake(max 355kw option)
- 7 Unique current limit protection
- 8 Prevent deceleration overvoltage
- 9 Special PID control for fan pump
- 10 Sleep and Weak function
- 11 Support multi line drive control
- 12 Load card dead, overload, short circuit protection
- 13 Automatic regulated output adjustment(AVR)
- 14 Inverter over heat protection
- 15 Easy PLC Processor control
- 16 Build in RS485 Modbus Communication

## Model Number

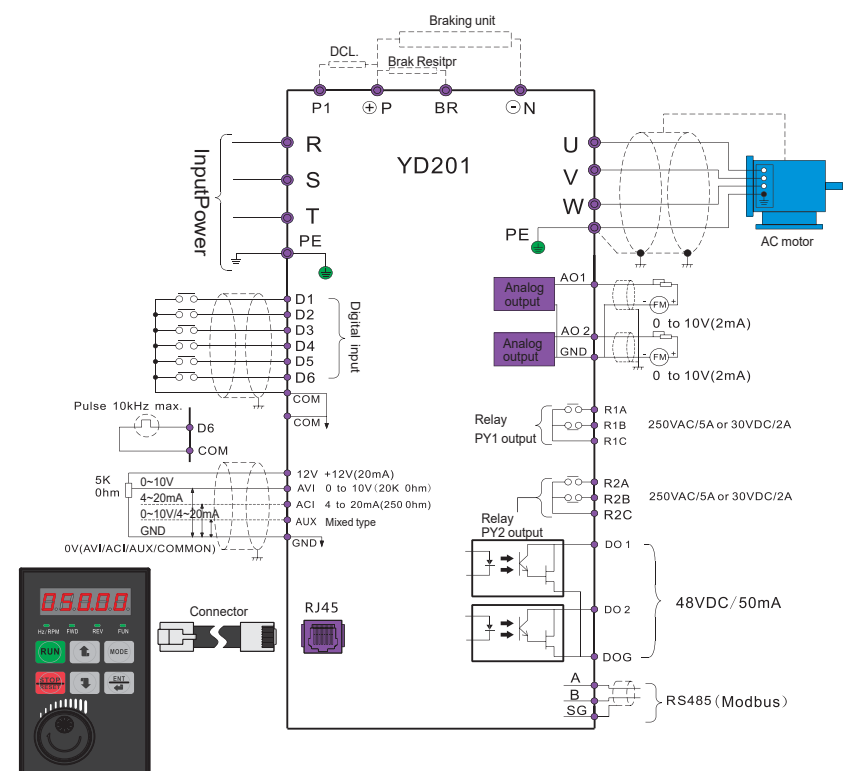


## Connections

0.4~22KW



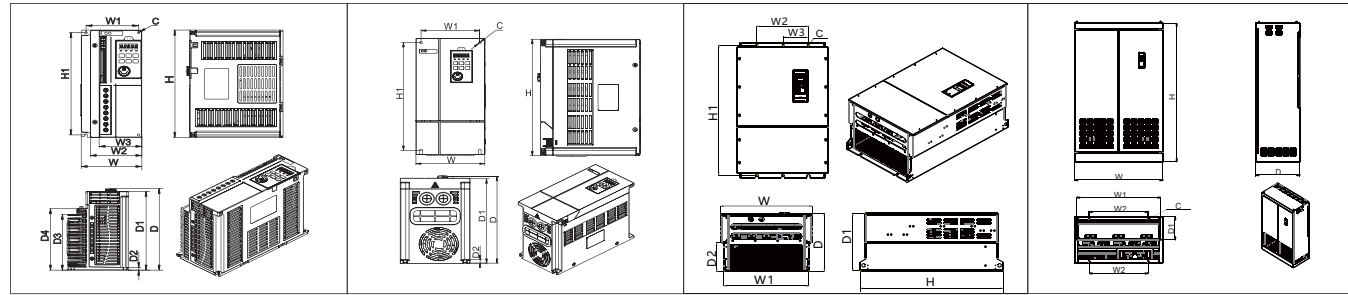
30~710KW



# YD201 Series(HVAC)



## Dimension



A(A1)/B (4.0-7.5KW)/380V  
(2.2-3.7KW)/220V

C/D (11-22KW)

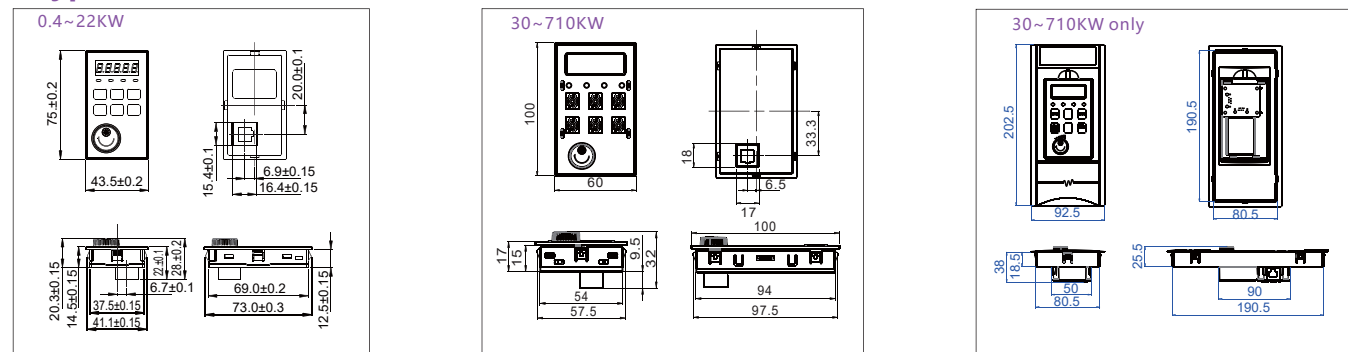
E/F/G/H/I/J (30-355KW)

K/L (400-710KW)

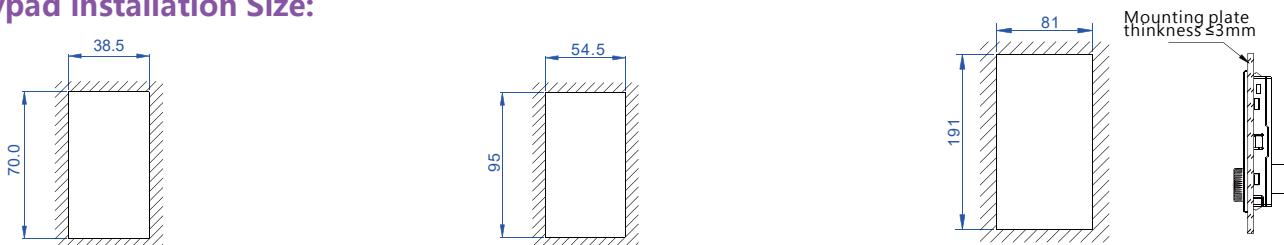
Tolerance +/- 0.5 mm

Frame	SIZE(mm)											
	H	H1	W	W1	W2	W3	D	D1	D2	D3	D4	C
A(A1)	160	150	79	69	69	95	126	5	83	130	X	4
B	210	200	100	86.5	85	70.5	160	154	5	109	120	5
C	270	250	135	115	X	X	200	195	8	X	X	5
D	300	281	135	136	X	X	220	214.5	7	X	X	6
E	400	384	250	190	230	X	235	230	108	X	X	6
F	520	497	321	300	190	X	270	265	108	X	X	10
G	620	588	400	375	300	X	300.2	295	127	X	X	10
H	720	680	495	459	360	X	330	325	130	X	X	12
I	860	825	550	512	350	X	370	365	180	X	X	13
J	960	920	670	632	520	260	370	365	180	X	X	13
K	1800	X	1000	956	800	X	600	300	X	X	X	15
L	1800	X	1200	1140	800	X	600	300	X	X	X	15

## Keypad Size:



## Keypad installation Size:



## Selection table

### Type(220V)

Model	Power (kW)	Rated capacity (kVA)	Rated current (A)	Size (HxWxD)mm	Frame
YD201-00P4-T2S	0.4	1.2	3.1	160 x 79 (95) x 126	A(A1)
YD201-00P7-T2S	0.75	1.7	4.5		
YD201-01P5-T2S	1.5	2.9	7.5		
YD201-02P2-T2S	2.2	4.0	10.5		
YD201-03P7-T2	3.7	6.7	17.5	210 x 100 x 160	B

### Type(380V)

Model	Power (kW)	Rated capacity (kVA)	Rated current (A)	Size (HxWxD)mm	Frame
YD201-00P7-T4	0.75	1.7	2.3	160 x 79 (95) x 126	A(A1)
YD201-01P5-T4	1.5	2.9	4.0		
YD201-02P2-T4	2.2	4.0	5.2		
YD201-0003-T4	3.0	5.5	7.2		
YD201-0004-T4	4.0	7.3	11.5	210 x 100 x 160	B
YD201-05P5-T4	5.5	9.9	13.5		
YD201-07P5-T4	7.5	13.3	18.5		
YD201-0011-T4	11	19.1	25	270 x 135 x 200	C
YD201-0015-T4	15	27.4	32		
YD201-18P5-T4	18.5	41	40	300 x 155 x 220	D
YD201-0022-T4	22	50	48		
YD201-0030-T4	30	54	65		
YD201-0037-T4	37	61	80	520 x 321 x 270	F
YD201-0045-T4	45	73	96		
YD201-0055-T4	55	98	128		
YD201-0075-T4	75	130	165		
YD201-0093-T4	93	140	200		
YD201-0110-T4	110	170	224		
YD201-0132-T4	132	200	280	620 x 400 x 300	G
YD201-0160-T4	160	230	302		
YD201-0185-T4	185	260	340		
YD201-0200-T4	200	300	380	860 x 550 x 370	I
YD201-0220-T4	220	340	450		
YD201-0250-T4	250	380	470		
YD201-0280-T4	280	430	530		
YD201-0315-T4	315	460	605	960 x 670 x 370	J
YD201-0355-T4	355	490	670		
YD201-0400-T4	400	519	738		
YD201-0450-T4	450	585	864	1800 x 1000 x 600	K
YD201-0500-T4	500	650	984		
YD201-0550-T4	550	722	1000		
YD201-0630-T4	630	780	1185		
YD201-0710-T4	710	890	1234	1800 x 1200 x 600	L

Technical data

Input (L1,L2,L3) (R,S,T) (L1,L3)	voltage	1*200—240V+10%~-15%	Digital output (RA,RC) (R1A,R1B,R1C) (R2A,R2B,R2C)	Numbers	1port(0.4~2.2kW/220V) (0.75~3.0kW/380V)	
		3*200—240V+10%~-15%			2port(4.0~710kW/380V)	
		3*380—480V+10%~-15%				
frequency	50/60Hz±5%	Output type		1port:RA, RC N.O. 2port:RIA, RIC N.O. R2A, R2B, R2C (4.0-22kW/380V) 2port: RIA, RIB, RIC R2A, R2B, R2C (30-710kW/380V)		
protection	Surge absorption					
control	VF & VVT					
frequency	0-650Hz (V/F Mode)					
	0-200Hz (VVT Mode)					
	Starting torque				120%/3Hz (V/F Mode) 150%/1Hz (VVT Mode)	
Output : (U, V, W)	voltage				0-100%Input	Max Load
	carry fz		1-10Khz, random			
	acc/dec time		0.1-3600 Sec.			
	overload		120%/60s,180%/3s			
Multi function output Optocoupler (DO, DOG) (DO1/DO2, DOG)	Number of programming	1 (11kW-22kW/380V)	Digital input (D1~D6)	Nums	6 nums	
		2 (30kW-710kW/380V)				
specifications	DC48V/50mA OpenCollect	Logic		NPN		
port nums	1 port					
Communication : (A, B, SG)	ID nums	1-255台 (120Ω)		Level	0~24V	
		protocol				Modbus RTU
		Max Voltage				28V
Environment	IP level	0.4-22kW IP20		Input impedance	4KΩ	
		30-355kW IP00				
		400-710kW IP20 Cab				
operation panel	Oper temp	-10~+40°C (All)	Pulse (wide) input (D6)	Nums	1 port	
		display				5 LED
						4 Indicator light
Analog output (AO, GND) (AO1, GND) (AO2, GND)	Keypad	6个 (RUN、STOP/RESET、MODE、ENT、▲、▼)	Level	0~24V		
		potentio meter			Set frequency	
					Remote control	Standard network cable pull 1-3 M
		Numbers				1 port (0.4~22kW) ; 2 port (30~710kW)
Analog output	Output Signal					
	level	0-10V DC	maximum error	±0.1% Full scale calculation		
Current capacity		2mA(Max.)				
	maximum error	±1% Full scale calculation	Analog input (AVI/ACI/AUX)	Nums	2 port: (0.4~22kW) 3 port: (30~710kW)	
Input type		voltage type(AVI) current type(ACI) mixture(AUX)				
	V level	0~10V(20KΩ)	Input type	voltage type(AVI) current type(ACI) mixture(AUX)		
I level		0/4~20mA(250Ω)				
	control accuracy	1: 4096 (12 Bit AD)	control accuracy	1: 4096 (12 Bit AD)		

Main circuit terminal description

Terminal symbol	Terminal function description	
L1/R	AC power input	1 phase : L1、L2
L2/S		3 phase : L1、L2、L3、 (0.75~22kW 380V)
L3/T		R、S、T、 (30~710kW 380V)
U	Inverter output,connect motor U,V,W	
V		
W		
P		
P1	P/BR	External braking resistor (0.4~355kW)
BR	P/N	External brake unit (11~710kW)
N		DC bus side by side (11~710kW)
⊕	Earthing terminal	

Control circuit terminal define

Terminal symbol	TM2 terminal function description		
RA	(0.4-2.2kW)/220V	Relay specification: 250VAC/5A(30VDC/2A)	
RC	(0.75-3.0kW/380V)		
R1A	(3.7kW)/220V		
R1B			
R1C	(4.0~710kW)/380V		
R2A	(30~710kW)/380V		
R2B			
R2C			
COM	D1~D6 Common terminal		
D1	Multifunctional programmable input terminal(NPN)		
D2			
D3			
D4			
D5			
D6			
COM	D1~D6 Common terminal		
10V(12V)	Frequency potentiometer(VR) power 10V(above 30kw is 12V)		
AO/AO1/AO2	Analog output positive,output max 10VDC/1mA		
GND	Analog ground(AO,AO1,AO2,AVI,ACI,AUX)		
AVI	Voltage type analog input, 0~10VDC		
ACI	Current type analog input, 0/4~20mA		
AUX	Mixture type analog input, 0~10VDC/4~20mA		
DO/DO1/DO2	(+)	Multi function output Optocoupler (DC 48V/50mA)	
DOG	(-)		
A	(+)R S485	RS485 communication terminal	
B	(-)R S485		
SG	Earth Shield(RS485 communication)		